

## Pressure sensor liquids

Active sensor (0...10V) for pressure measurement in HVAC systems. The sensor is suitable for water and water/glycol mixtures. The housing is made of stainless steel and is NEMA 4 / IP65 rated.



## Type Overview

Type	Measuring range pressure	Output signal active pressure	Overpressure range	Burst pressure
22WP-114	0...4 bar	DC 0...10 V	8 bar	12 bar
22WP-115	0...6 bar	DC 0...10 V	12 bar	18 bar
22WP-116	0...10 bar	DC 0...10 V	20 bar	30 bar
22WP-117	0...16 bar	DC 0...10 V	32 bar	48 bar

## Technical Data

<b>Electrical data</b>	Power supply DC	15...24 V, $\pm 10\%$ , 0.15 W
	Power supply AC	24 V, , $\pm 10\%$ , 0.3 VA
	Electrical connection	Connector Plug for wire 0.5...1.5 mm <sup>2</sup>
	Cable entry	MVS plug according to DIN EN175301-803 / Type A
<b>Functional data</b>	Sensor Technology	Strain gauge on precious metal
	Output signal active note	Voltage output: min. 5 k $\Omega$ load
	Mechanical connection	pressure connector: G1/4"
	Application	Water Water glycol mixture
<b>Measuring data</b>	Response time	max. 2 ms
	Measuring values	Relative pressure
	Accuracy pressure	$\pm 0.5\%$ FS @ 25°C
	Total errors for final temperatures	at maximum temperatures -40°C: $\leq 2\%$ FS 105°C: $\leq 2\%$ FS
<b>Materials</b>	Housing seal	FKM fluororubber, Silicone-free
	Housing	Stainless steel 1.4301
<b>Safety data</b>	Ambient humidity	Max. 95% r.H., non-condensing
	Ambient temperature	-40...105°C [-40...220°F]
	Fluid temperature	-40...125°C [-40...255°F]
	Protection class IEC/EN	III Protective extra-low voltage (PELV)
	EU Conformity	CE Marking
	Certification IEC/EN	IEC/EN 60730-1
	Degree of protection IEC/EN	IP65
	Degree of protection NEMA/UL	NEMA 4
Quality Standard	ISO 9001	

**Safety notes**



This device has been designed for use in stationary heating, ventilation and air-conditioning systems and must not be used outside the specified field of application. Unauthorised modifications are prohibited. The product must not be used in relation with any equipment that in case of a failure may threaten humans, animals or assets.

Ensure all power is disconnected before installing. Do not connect to live/operating equipment.

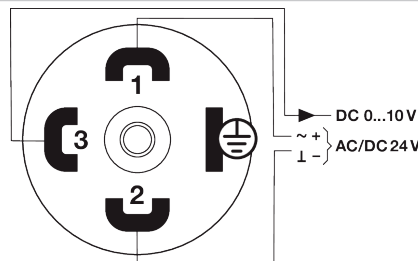
Only authorised specialists may carry out installation. All applicable legal or institutional installation regulations must be complied during installation.

The device contains electrical and electronic components and must not be disposed of as household refuse. All locally valid regulations and requirements must be observed.

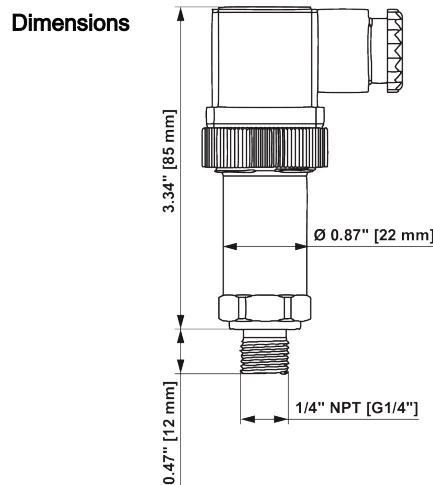
**Accessories**

Optional accessories	Description	Type
	Reduction adapter, G 1/4" (internal thread) to G 1/2" (external thread)	A-22WP-A02

**Wiring diagram**



**Dimensions**



Type	Weight
22WP-114	0.12 kg
22WP-115	0.12 kg
22WP-116	0.12 kg
22WP-117	0.12 kg