

Pioneering for You

HVAC OEM Competence Centre

Yonos PARA RS **/7.5 PWM1 Datasheet



ErP
READY

APPLIES TO
EUROPEAN
DIRECTIVE
FOR ENERGY
RELATED
PRODUCTS

Yonos PARA RS **/7.5 PWM 1



Field of application



Heating

Yonos PARA RS 15/7.5 PWM1 130 12

Yonos PARA

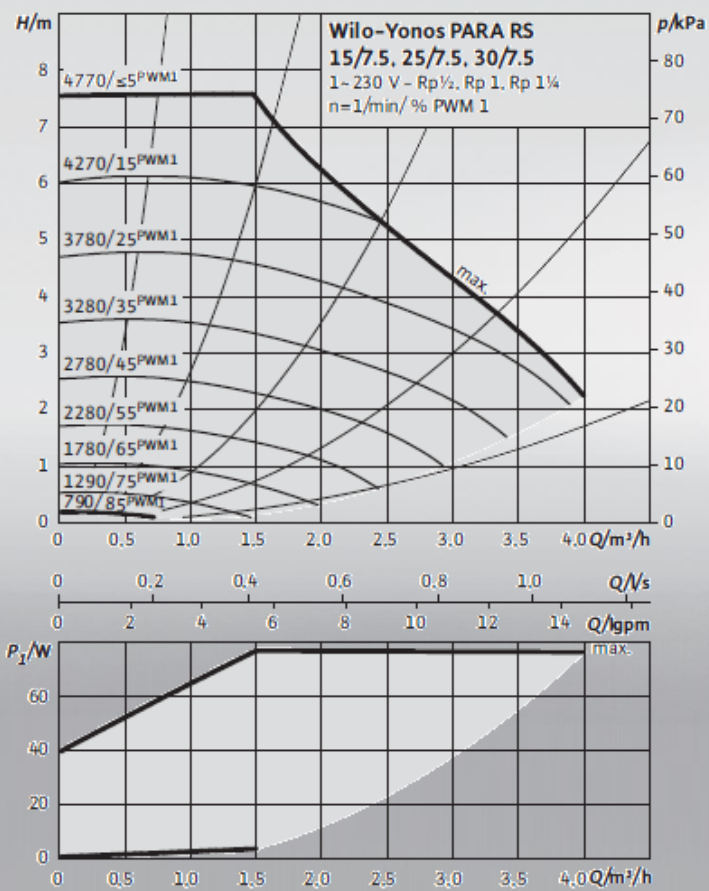
High Efficiency pump for heating application

RS	Inline cast iron pump housing
15	Threaded connection DN 15 (25, 30 : also available)
7.5	7.5 = delivery head in [m] at Q = 0 m ³ /h
PWM1	Externally controlled by PWM1 signal
130	Pump housing length 130 mm (180 mm: also available)
12	Control box orientation 12 o'clock (3, 6, 9 o'clock: also available)

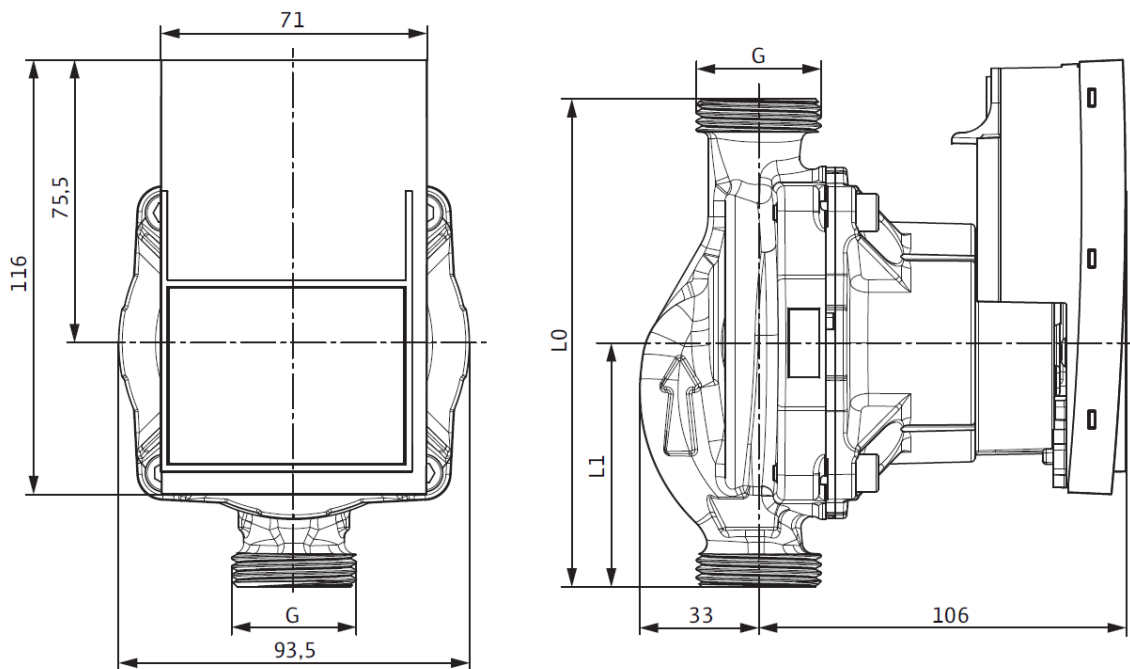
Hydraulic operational area



External control via PWM 1



Dimensions



Thread	Overall length (mm)	Dimensions (mm)
	10	L1
G1"	130	65
G1 1/2"	130	65
G1 3/4"	180	90
G2"	180	90



Electrical connections

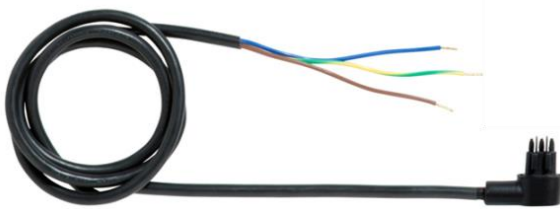
Integrated Molex 3-way connector



Overmoulded connector



Overmoulded power cables



Molex connector



Volex connector



WS8 connector

Standard signal cables



Approved fluids (other fluids on request)	Heating water (in accordance with VDI 2035) Water-glycol mixtures (max. 1:1; above 20% admixture, the pumping data must be checked)
--	--

Power

Energy Efficiency Index (EEI)	≤ 0,21
Max. delivery head	7,6 m
Max. volume flow	3.3 m ³ /h

Permitted field of application

Temperature range for applications in HVAC systems at max. ambient temperature. Limit values for continuous operation at maximum rated power	Of 58°C = 0 to 100°C Of 62°C = 0 to 90°C Of 66°C = 0 to 80°C Of 71°C = 0 to 70°C
Maximum static pressure	PN 6

Electrical connection

Mains connection	1~230 V +10%/-15%, 50/60 Hz (IEC 60038 standard voltage)
------------------	--

Motor/electronics

Low voltage directive	2006/95/EC Conform
Electromagnetic compatibility	EN 61800-3
Emitted interference	EN 61000-6-4 EN 61000-6-3
Interference resistance	EN 61000-6-1 EN 61000-6-2
Protection class	IPX4D
Insulation class	F
RoHS / REACH	Not submitted

Minimum suction head at suction port to avoid cavitation at water pumping temperature

Minimum suction head at 50/95°C	0.5/4.5 m
---------------------------------	-----------

Motor data

Yonos PARA	Speed	Power consumption 1-230 V	Current at 1-230 V	Motor protection
	n	P1	I	-
	rpm	W	A	-
RS **/7.5 PWM1	800 / 4770	4-75	0.04-0.60	Integrated

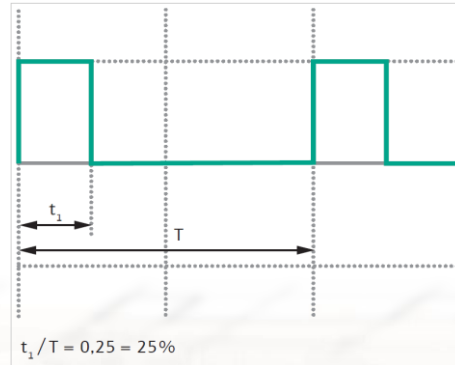
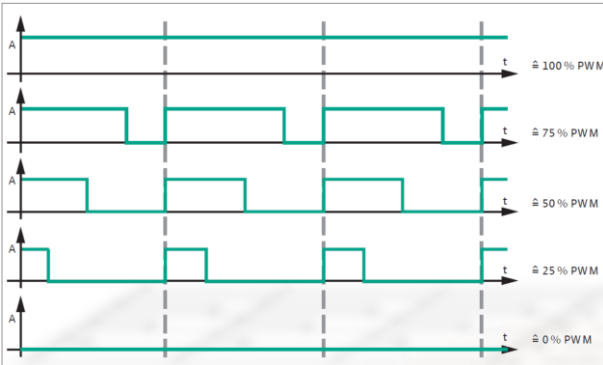
Materials

Yonos PARA	Pump housing	Impeller	Pump shaft	Bearing
RS **/7.5 PWM1	Cast iron with cataphoresis treatment	PP composite with GF 40%	Stainless steel	Carbon, metal impregnated

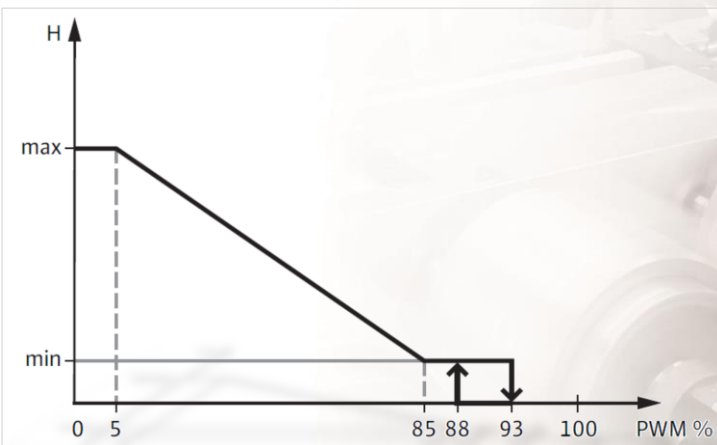
External control via a PWM system



The actual/setpoint level assessment required for control is referred to a remote controller. The remote controller sends a PWM signal as an actuating variable to the Wilo-Yonos PARA. The PWM signal generator gives a periodic order of pulses to the pump (the duty cycle), according to DIN IEC 60469-1. The actuating variable is determined by the ratio between pulse duration and the pulse period. The duty cycle is defined as a ratio without dimension, with a value of 0 ... 1 or 0 ... 100 %. This is explained in the following with ideal pulses which form a rectangular wave.



PWM signal logic 1 (heating)



PWM Input signal (%)

< 5	Pump runs at maximum speed
5-85	Pump speed decreases linearly from maximum to minimum
85-93	Pump runs at minimum speed (operation)
85-88	Pump runs at minimum speed (start-up)
93-100	Pump stops (Standby)
Signal frequency:	100 Hz-5000 Hz (1000 Hz nominal)
Signal amplitude:	Minimum 3.6V at 3 mA Up to 24V for 7.5 mA absorbed by the pump interface
Signal polarity:	none

wilo

WILO
HVAC OEM Competence Centre

50 av. Casella
18700 - Aubigny sur Nère
France
T +33 2 48 81 62 62
information@wilointec.com
www.wilo-oem.com

Pioneering for You